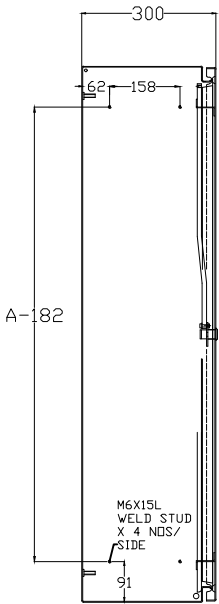


# CVS METAL INDUSTRIES SDN BHD

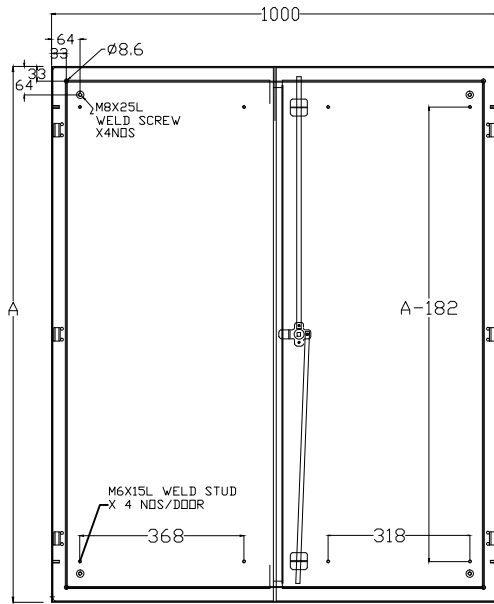
SPECIFICATIONS & DIMENSIONS

CVS-S28  
Rev : 2

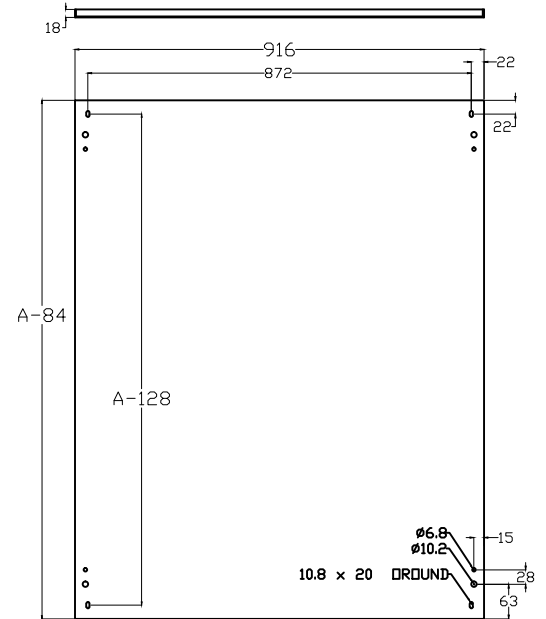
## 2-DOOR ENCLOSURE



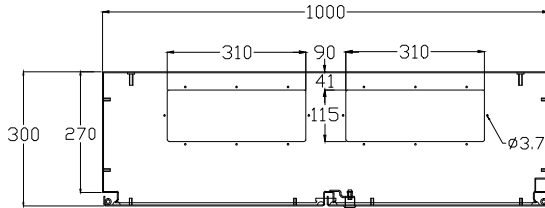
SIDE VIEW



FRONT VIEW



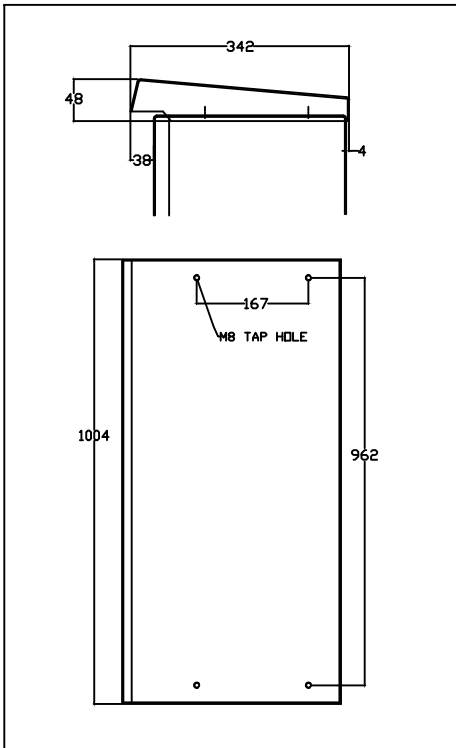
MOUNTING PLATE



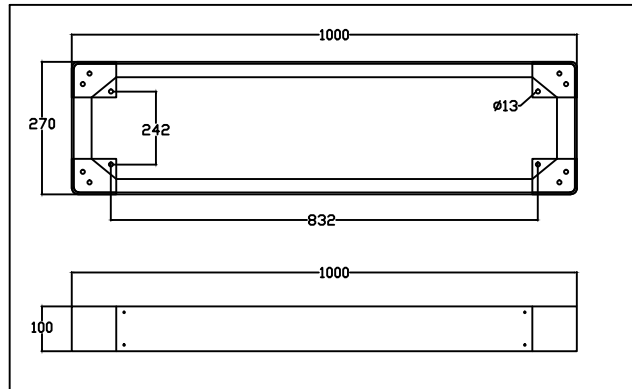
BOTTOM VIEW

DIE CAST QUARTER TURN

### CANOPY



### PLINTH



2-DOOR ENCLOSURE	
TYPE	A
CR1008030H	800
CR10010030	1000
CR12010030	1200

PART NAME	MATERIAL	FINISHING
BODY/DDOR	2.0MM EG	RAL7032, CVS BEIGE, POLYENSTER POWDER COATED
GLAND PLATE	1.4MM EG	
CANOPY	2.5MM GI	ORIGINAL
MOUNTING PLATE	2/3MM EG	BLACK
PLINTH	3.0MM EG	RAINBOW PLATED