

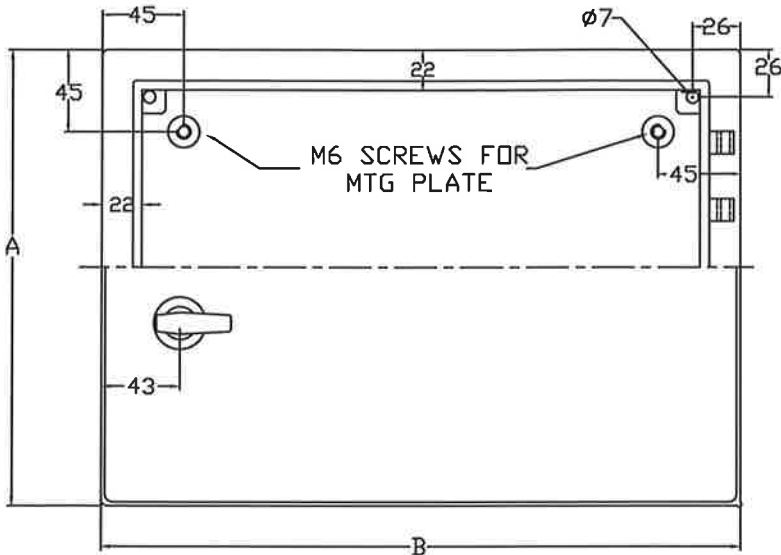
CVS METAL INDUSTRIES SDN BHD

IP65

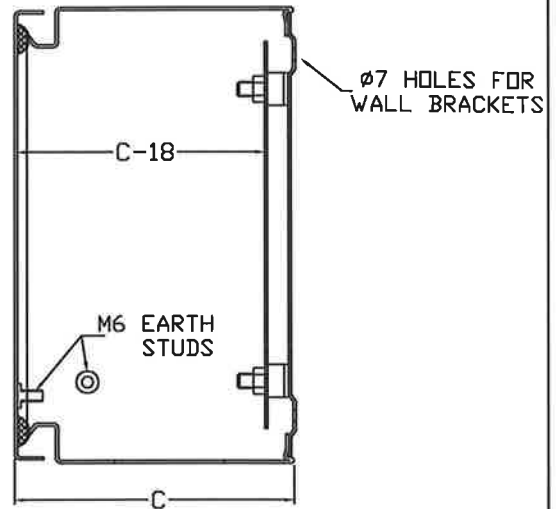
COMPLETE PRODUCT SPECIFICATIONS & DIMENSIONS WALL MOUNT INDUSTRIAL METAL ENCLOSURE

CVS-S02
Rev : 4

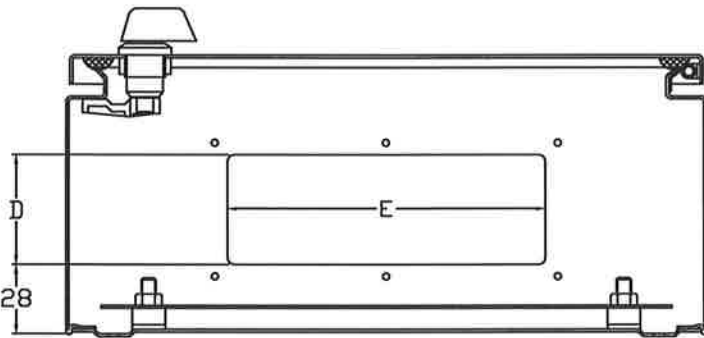
(HORIZONTAL TYPE)



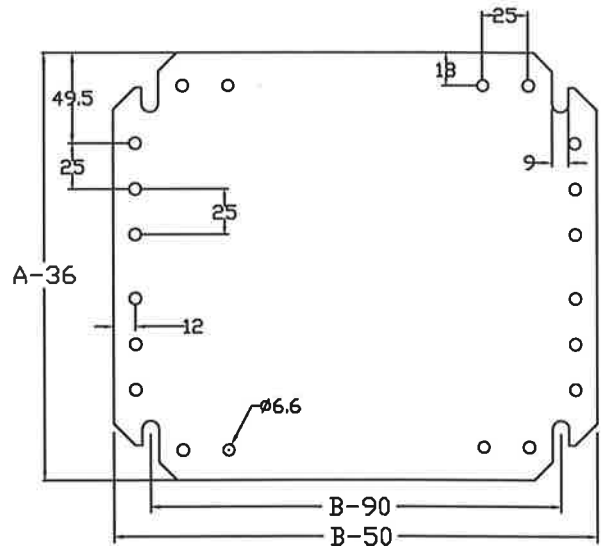
FRONT VIEW



SIDE VIEW



BOTTOM VIEW



MOUNTING PLATE

CR (HORIZONTAL) MODEL DESCRIPTION		
PART NAME	MATERIAL	FINISH
BODY / DOOR GLAND PLATE	1.4MM EG	POLYESTER POWDER COATED RAL7032, BEIGE
MOUNTING PLATE	1.4/2.0MM EG	RAINBOW PLATED
WALL BRACKET	2.0MM EG	RAINBOW PLATED

MODEL	A	B	C	D	E	MTG PL THICKNESS	GLAND TYPE	NO. OF LOCK	NO. OF WALL BRACKETS	WEIGHT KG
CR302515 H	250	300	153	60	174	1.4	A1	1	4	5.4
CR302520 H	250	300	203	60	174	1.4	A1	1	4	6.0
CR403015 H	300	400	153	60	174	2.0	A1	1	4	8.0
CR403020 H	300	400	203	60	174	2.0	B1	1	4	8.4
CR504015 H	400	500	153	60	174	2.0	A1	1	4	11.8
CR504020 H	400	500	203	88	259	2.0	B1	1	4	13.0
CR504025 H	400	500	253	88	259	2.0	B1	1	4	14.0

NOTES: 1) MEASUREMENTS ARE IN MM

2) SINGLE BOTTOM GLAND OPENING

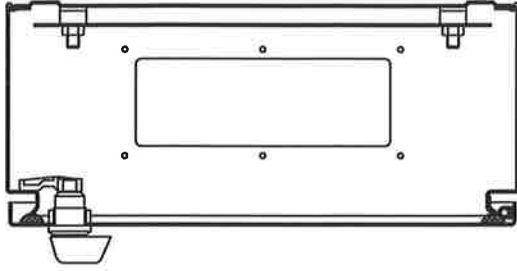
CVS METAL INDUSTRIES SDN BHD

IP65

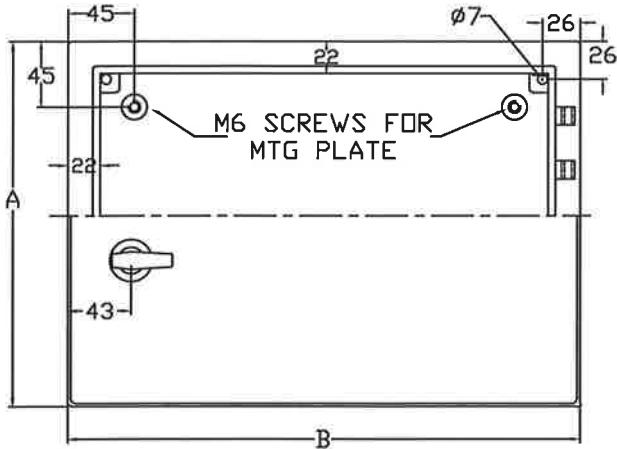
COMPLETE PRODUCT SPECIFICATIONS & DIMENSIONS
WALL MOUNT INDUSTRIAL METAL ENCLOSURE

CVS-S02
 Rev 1.4

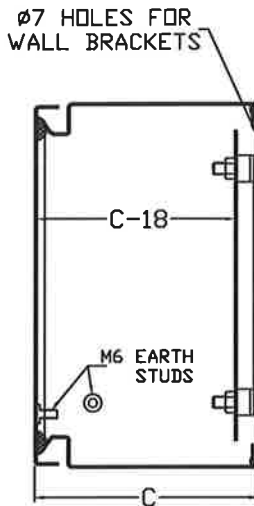
(HORIZONTAL TYPE)



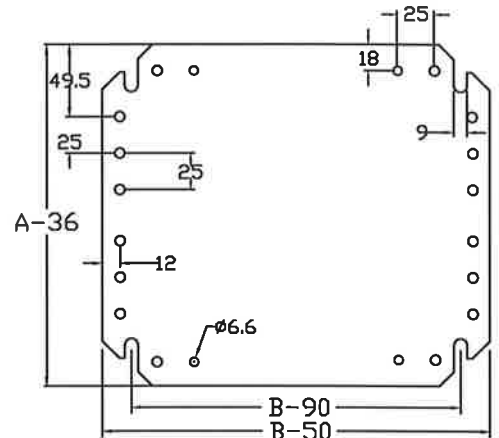
TOP VIEW



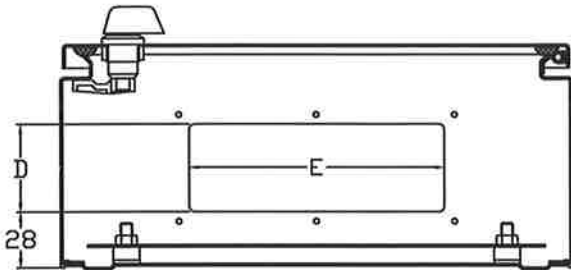
FRONT VIEW



SIDE VIEW



MOUNTING PLATE



BOTTOM VIEW

CR (HORIZONTAL) MODEL DESCRIPTION		
PART NAME	MATERIAL	FINISHING
BODY / DOOR	1.4MM EG	POLYESTER POWDER COATED RAL7032, BEIGE
GLAND PLATE	1.4/2.0MM EG	
MOUNTING PLATE	2.0MM EG	RAINBOW PLATED
WALL BRACKET	2.0MM / 3.0MM EG	

MODEL	A	B	C	D	E	DOOR THICKNESS	GLAND TYPE	NO. OF LOCK	NO. OF WALL BRACKETS	WEIGHT KG
CR604015 H	400	600	153	60	174	1.4	A2	1	4	14.2
CR604020 H	400	600	203	88	259	1.4	B2	1	4	15.2
CR605020 H	500	600	203	115	310	2.0	B2	2	4	19.7
CR605025 H	500	600	253	115	310	2.0	C2	2	4	21.0
CR705020 H	500	700	203	115	310	2.0	B2	2	4	22.0
CR705025 H	500	700	253	115	310	2.0	C2	2	4	23.6

- NOTES: 1) MEASUREMENTS ARE IN MM
 2) SINGLE GLAND OPENING ON TOP & BOTTOM
 3) WALL BRACKET 3.0MM FOR ALL SIZES EXCEPT CR 604015H & CR 604020H