

CVS METAL INDUSTRIES SDN BHD

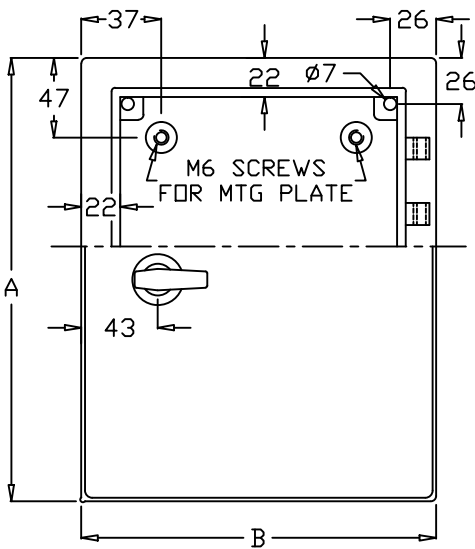
IP65

COMPLETE PRODUCT SPECIFICATIONS & DIMENSIONS

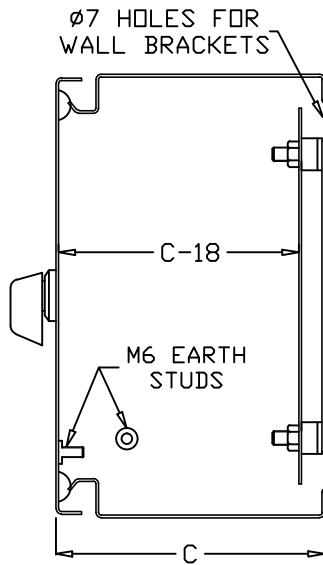
CVS-S15

Rev : 4

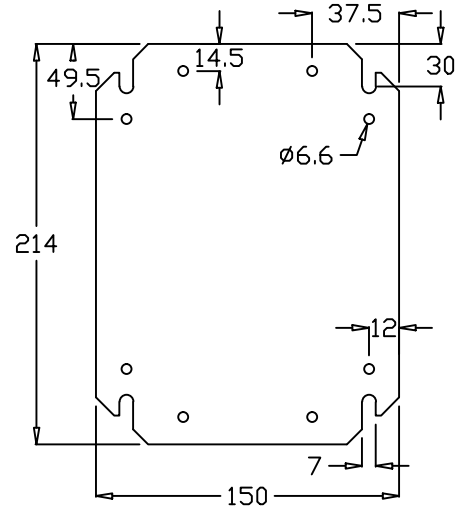
STAINLESS STEEL WALL MOUNT INDUSTRIAL METAL ENCLOSURE



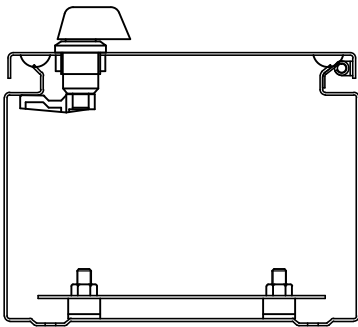
FRONT VIEW



SIDE VIEW



MOUNTING PLATE



BOTTOM VIEW

CRX MODEL DESCRIPTION		
PART NAME	MATERIAL	FINISHING
BODY/DOOR	1.5MM SS304	HAIRLINE FINISH ON EXTERNAL SURFACE
MOUNTING PLATE	1.4MM EG	RAINBOW PLATED
WALL BRACKET (OPTIONAL)	2.0MM SS304	2B FINISH

MODEL	A	B	C	GLAND OPENINGS	NO. OF LOCKS	NO. OF WALL BRACKETS	WEIGHT (KG)
CRX252015	250	200	153	0	1	0	3.5

- NOTES: 1) MEASUREMENTS ARE IN MM
 2) NO GLAND OPENING
 3) SS316 MATERIAL (CRXX MODEL) AVAILABLE UPON REQUEST

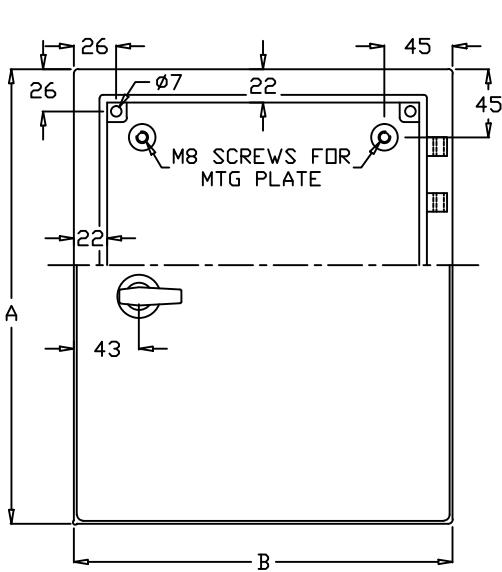
CVS METAL INDUSTRIES SDN BHD

IP65

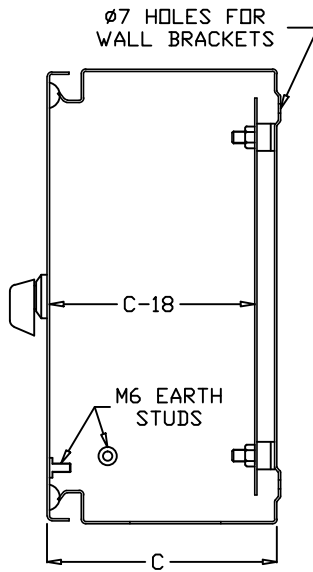
COMPLETE PRODUCT SPECIFICATIONS & DIMENSIONS

CVS-S15
Rev : 4

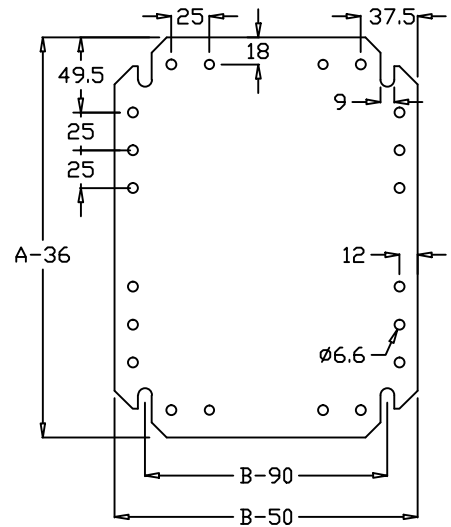
STAINLESS STEEL WALL MOUNT INDUSTRIAL METAL ENCLOSURE



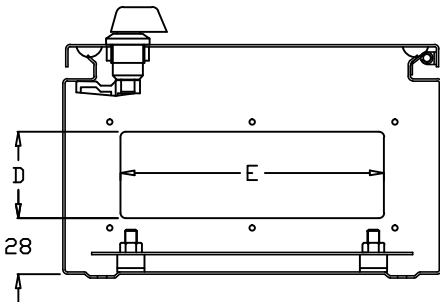
FRONT VIEW



SIDE VIEW



MOUNTING PLATE



BOTTOM VIEW

CRX MODEL DESCRIPTION		
PART NAME	MATERIAL	FINISHING
BODY/GLAND PLATE	1.5MM SS304	HAIRLINE FINISH ON EXTERNAL SURFACE
DOOR	1.5/2.0MM SS304	
MOUNTING PLATE	1.4/2.0MM EG	RAINBOW PLATED
WALL BRACKET (OPTIONAL)	2.0MM SS304	2B FINISH

MODEL	A	B	C	D	E	DOOR THICKNESS	BOT. GLAND TYPE	NO. OF LOCK	WEIGHT (KG)
CRX302515	300	250	153	60	174	1.5	A1	1	4.8
CRX303015	300	300	153	60	174	1.5	A1	1	5.4
CRX403015	400	300	153	60	174	1.5	A1	1	7.2
CRX403020	400	300	203	60	174	1.5	A1	1	8.0
CRX404020	400	400	203	88	259	1.5	B1	1	10.2
CRX504020	500	400	203	88	259	1.5	B1	2	12.2
CRX604020	600	400	203	88	259	1.5	B1	2	14.4
CRX606025	600	600	253	115	310	1.5	C1	2	22.5
CRX705025	700	500	253	115	310	1.5	C1	2	21.3
CRX806025	800	600	253	115	310	2.0	C1	2	29.7

NOTES: 1) MEASUREMENTS ARE IN MM

2) SINGLE GLAND OPENING ON BOTTOM

3) ALL MOUNTING PLATE THICKNESS 2.0MM EXCEPT CRX 302515 & CRX 303015

4) SS 316 MATERIAL (CRXX MODEL) AVAILABLE UPON REQUEST

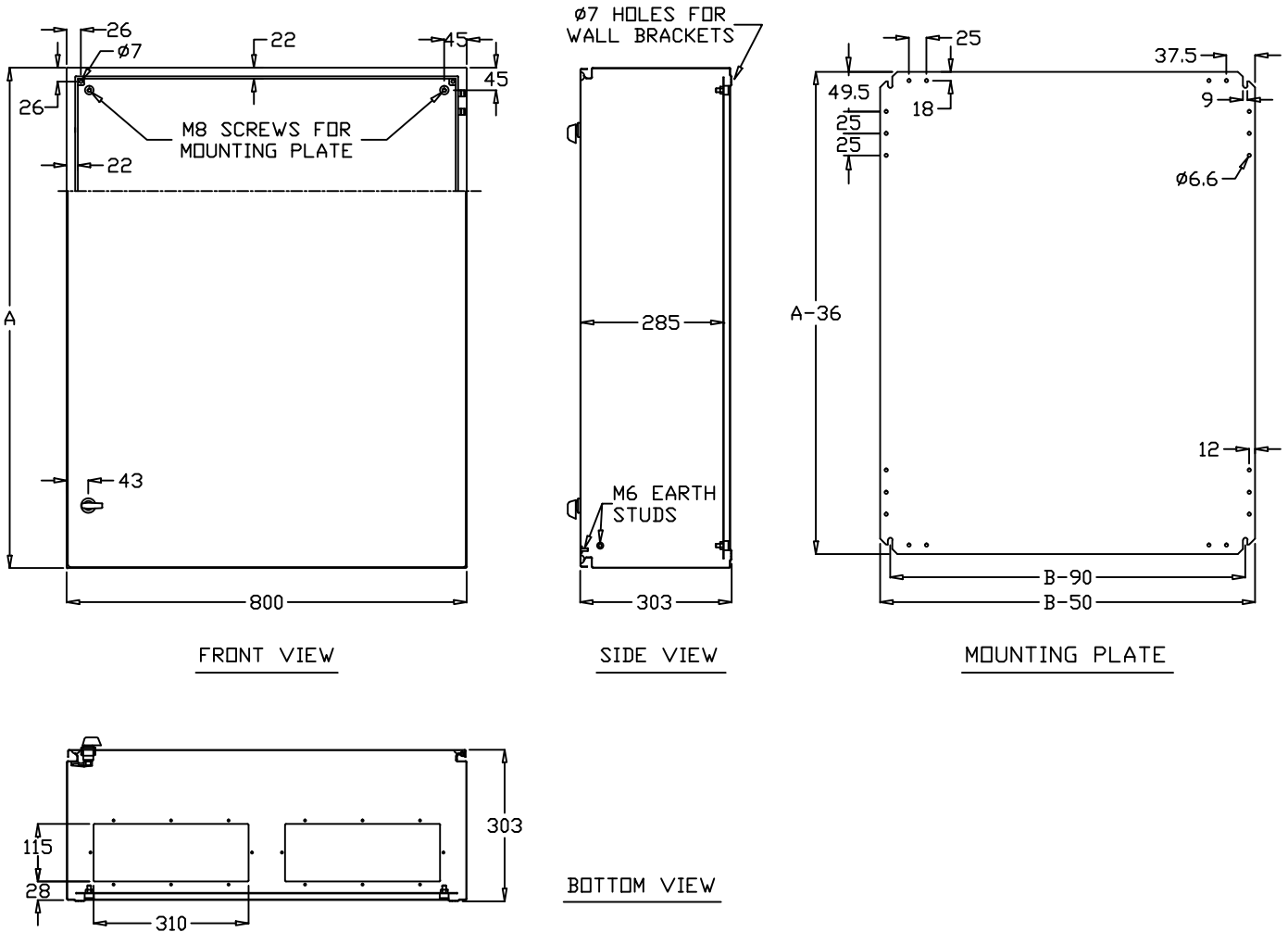
CVS METAL INDUSTRIES SDN BHD

IP65

COMPLETE PRODUCT SPECIFICATIONS & DIMENSIONS

CVS-S15
Rev : 4

STAINLESS STEEL WALL MOUNT INDUSTRIAL METAL ENCLOSURE



CRX MODEL DESCRIPTION		
PART NAME	MATERIAL	FINISHING
BODY/GLAND PLATE	1.5MM SS304	HAIRLINE FINISH ON EXTERNAL SURFACE
DOOR	2.0MM SS304	
MOUNTING PLATE	2.0MM EG	RAINBOW PLATED
WALL BRACKET (OPTIONAL)	2.0MM SS304	2B FINISH

MODEL	A	BOTTOM GLAND TYPE	NO. OF LOCKS	WEIGHT (KG)
CRX808030	800	C2	2	39.9
CRX1008030	1000	C2	2	48.2
CRX1208030	1200	C2	2	56.5

- NOTES: 1) MEASUREMENTS ARE IN MM
 2) DOUBLE GLAND OPENINGS ON BOTTOM
 3) SS316 MATERIAL (CRXX MODEL) AVAILABLE UPON REQUEST